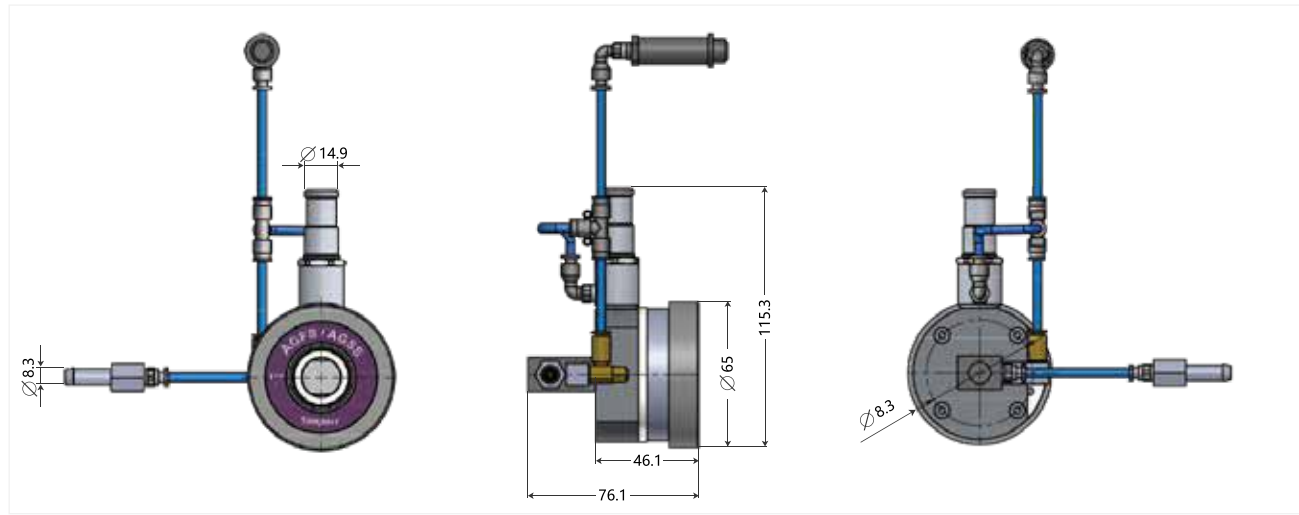




AGSS terminal units

Meddo AGSS terminal units take the principle of positive pressure jet to put the waste gas away through the negative pressure zone formed by the positive pressure of compressed air. It is a more advanced, safer and more stable second-generation waste gas recovery and discharge technology. Compared with the first-generation negative pressure suction AGSS terminal units, there is no danger caused by evacuation of the breathing gas in the patient's lungs, and no expensive anesthetic gas is wasted, thus achieving the requirements of low operating costs and no maintenance.



- Comply with the ISO standard
- Control valves and joints imported from Germany are safe and stable in operation
- The exhaust flow rate and exhaust pressure can be adjusted according to the air supply pressure
- Marking and working status indication
- Metal material cover, easy to clean, and durable

Drive Working pressure Exhaust flow rate Intake pipe diameter Exhaust pipe diameter Installation method

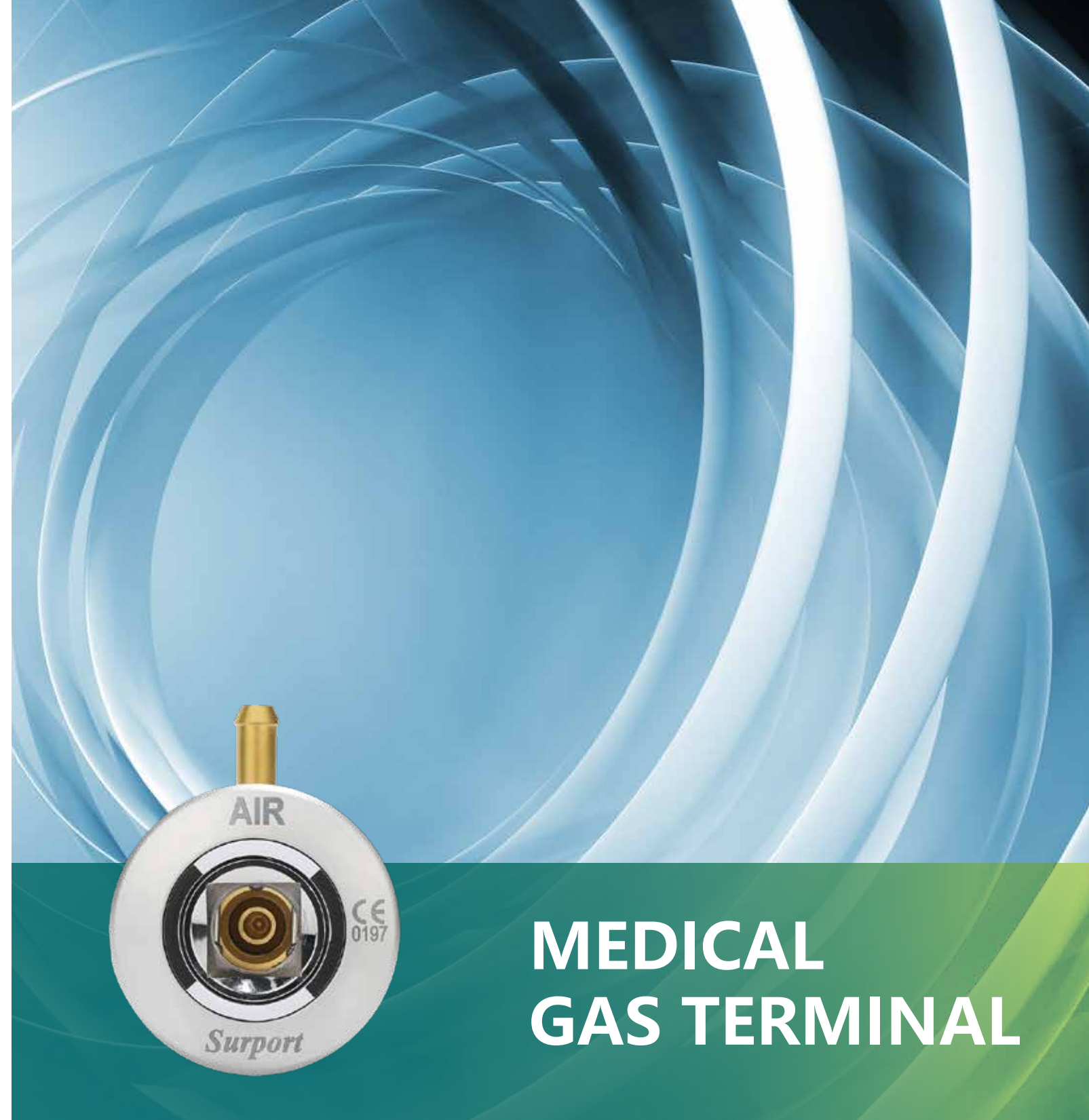
Air	5 bar	50L/min	Φ8mm	15mm	fixed panel
-----	-------	---------	------	------	-------------

Shanghai Meddo Medical Devices Co.,Ltd

Tel:17715168788

Website:www.meddomedical.com

Linkenin:MeddoMedical



MEDICAL GAS TERMINAL

Product Details-Medical Gas Terminal

Shanghai Meddo Medical Devices Co.,Ltd

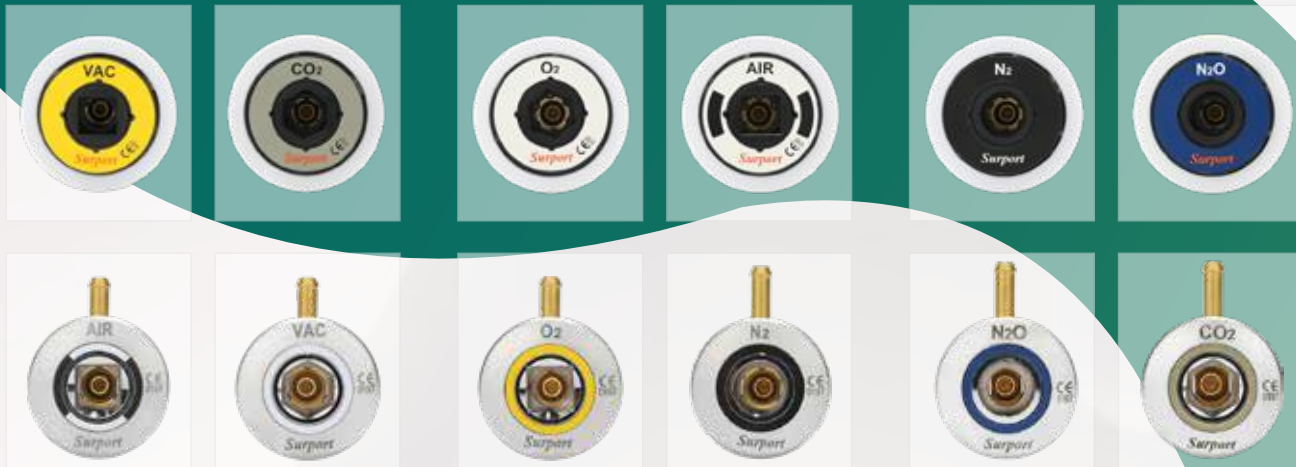




Meddo Surport Series Medical Gas Terminal

Meddo surport series gas terminal is designed by German, and is widely used in operating rooms, ceiling pendants, bed head units and ICU rooms. Lischka is committed to providing affordable and high-quality gas terminals for international well-known medical device manufacturers.

GER DIN UK BS CHN JIS



Surport

Standard Parm	DIN	BS	JIS
Working status	Standby, vent, cut off	vent, cut off	
Color code	ISO32		
Working pressure	Positive pressure:6bar Negative pressure:≤0.6bar		
Flow rat	Compressed gas terminal unit: 40L/min Vaccum terminal unit: 25L/min		
Air leakage rate	≤0.296ml/min		
Installation	Ceiling Pendant , Bedhead Unit		
Connection	Pagoda head hose connection, Φ8mm copper pipe welding, M14*1.5VCR thread connection		
Air intake	180° air intake, 90° air intake		

Name	ISO32 color code	
O2	White	○
VAC	Yellow	●
AIR	BLACK & WHITE	◐
CO2	Grey	●
N2O	Blue	●
N2	Black	●
AGSS	Red	●

- Comply with TUV CE and ISO standards
- 100% airtight test, 50,000 plugs and unplugs test
- The locking mechanism makes it easy to plug and unplug, safe and firm, not easy to jam
- The large aperture design of the VAC terminal increases the ventilation and reduces the possibility of blockage
- Different gas plugs are used according to the type of gas, and have the function of preventing misplugging
- Various types of gas plugs are comfortable to hold
- Lightweight and flexible operation, long service life



Dimension and installation reference

